

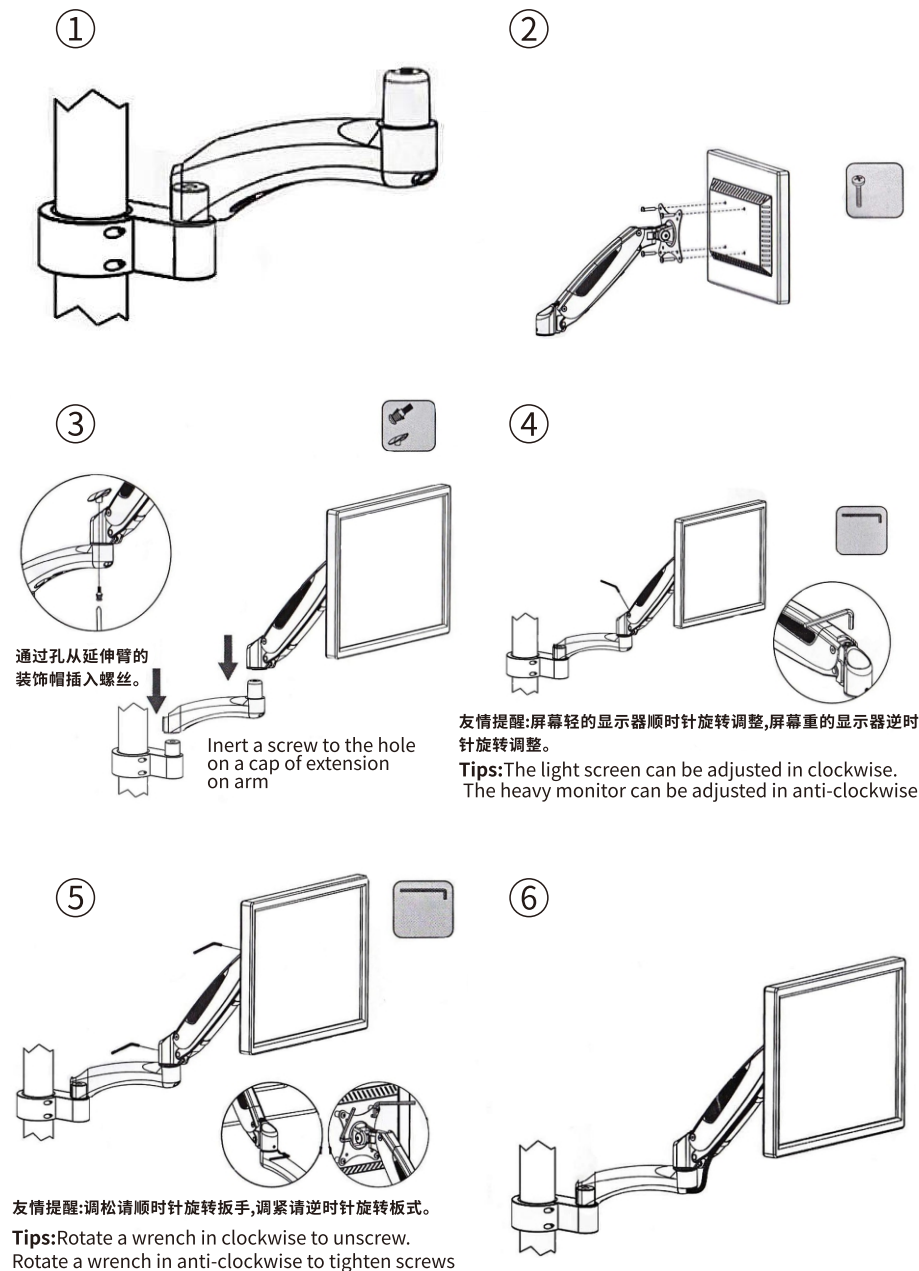
# 显示器安装说明书

Monitor installation instructions

**安装步骤:**  
**installation steps:**

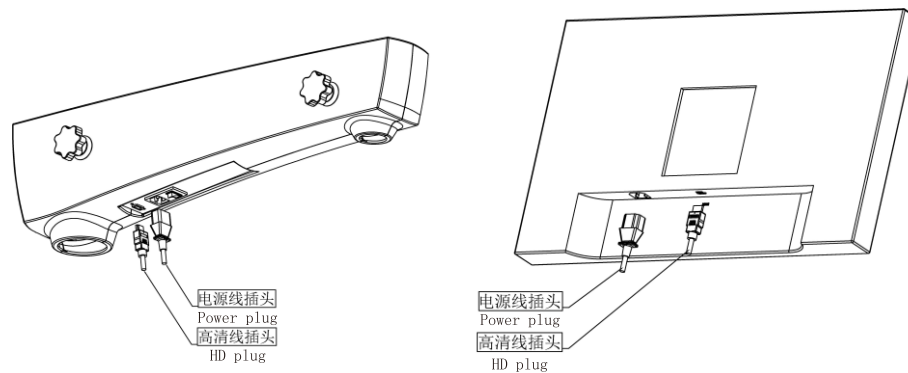
**第一步: 显示器支架及显示器安装**

**The first step: installation of the monitor bracket and the monitor**



**第二步: 连接电源线、数据线**

**The second step: connect Power plug and HD plug**



**说明:** 显示器的调试、使用请参照相应的使用说明书。

**Note:** Please refer to the corresponding instruction manual for the adjustment and use of the monitor.

